



1000 Flush Panel Door and Frame Quote/Order Request Form

Fax completed checklist to U.S. Aluminum Technical Sales at
(877) 883-7547. Then please call to review at (800) 627-6440.
This form is also available at **usalum.com**.

COMPANY NAME _____	PHONE _____
CONTACT _____ ACCOUNT NO. _____	FAX _____
JOB NAME _____	EMAIL _____

QUOTE ORDER P.O. # _____ **DATE** _____

SERIES	THICKNESS	STANDARD PROFILE DIMENSIONS		
		STILE	TOP RAIL	BOTTOM RAIL
250 NARROW STILE	1-3/4"	2"	2-1/8"	3-3/16"
400 MEDIUM STILE	1-3/4"	3-1/2"	3-3/16"	6-1/2"
550 WIDE STILE	1-3/4"	5"	5-1/2"	6-1/2"

DOOR CLOSER

- O.H. Concealed (Double Acting-Prep Only)
- O.H. Concealed (Offset-Prep Only)
- 90° 105°
- Hold Open Yes No
- Surface Mount
- Drop Plate
- No Closer Required
- Custom By USALUM By Customer
- Prep and Supply Prep Only
- Concealed Top Rail Door Stop/Holder Degree
* Requires Special Top Rail

DOOR STILE

- Standard Entrance
- 250 Narrow Stile
- 400 Medium Stile
- 550 Wide Stile

TOP RAIL

- Standard
- 3-3/16" - Min for OHCC
- 5-1/2" - No OHCC
- 6-1/2"
- 9-1/2"
- Custom

DOOR FINISH

- 11 - Clear Anodized Class I
 - 22 - Dark Bronze / Black Anodized Class I
 - 52 - Bone White 70% KYNAR® (2-Coat)
 - 71 - Standard 70% KYNAR® (2-Coat)
Standard Color per Chart - Specify
- _____
- 71 - Custom 70% KYNAR® (2-Coat) - Specify
- _____
- 71 - Custom 70% KYNAR® (3-Coat) - Specify
- _____

BOTTOM RAIL

- Standard
- 3-3/16"
- 5-1/2"
- 6-1/2"
- 7-1/2"
- 9-1/2"
- Custom

NOTE: Prep Only Requires Manufacturer's Name, Model, and Template
 Manufacturer: _____
 Model: _____

HARDWARE FINISH DOOR FINISH

- | | |
|----------------------------------|------------|
| • Clear | 11, 12, 52 |
| • Bronze | 22 |
| <input type="checkbox"/> Specify | 71 |
- _____

DOOR HINGING

- Continuous Geared Hinge
 - 1 Pair Butt Hinges
 - Intermediate Butt Hinges for Doors Over 84"
Add _____ per Door
 - Top/Bottom Offset Pivots
 - Intermediate Pivots for Doors Over 84"
Add _____ per Door
 - DH022 DH010
 - Power Transfer
 - Center Pivot (Double Acting)
 - Custom By USALUM By Customer
 - Prep and Supply Prep Only
 - Blank (No Prep)
- NOTE:** Prep Only Requires Manufacturer's Name, Model, and Template
 Manufacturer: _____
 Model: _____

LOCKING OPTIONS

- MS Hookbolt With Two Cylinders - **STD**
 - Long Throw Deadlock With Cylinders
 - 3-Point Locking @ Pair With Cylinders
 - Latch/Deadlock (DH189) With Cylinders
 - Thumbturn in Lieu of Cylinder
 - Latchlock (DH002)
 - Cylinder (Ext.) Thumbturn (Int.)
 - Lock Indicator
 - Cylinder Guard
 - Flushbolts
 - Paddle Handle
 - Lever Handle DH569
 - CRL Lever Handle DL2150
 - Electric Strike
 - Custom By USALUM By Customer
 - Prep and Supply Prep Only
 - Blank (No Prep)
- NOTE:** Prep Only Requires Manufacturer's Name, Model, and Template
 Manufacturer: _____
 Model: _____

DOOR OPENING SIZE

- 36" x 84"
- Custom Single _____
Door Tag # _____
- 72" x 84"
- Custom Pair _____
Door Tag # _____

CLEARANCES/ THRESHOLDS

- Clearance From Bottom of Door to Finish Floor
- Custom Specify _____
- Thresholds
- 4" Standard for Center Hung Doors
- 4-3/4" Standard for Offset Hung Doors
- Custom Specify _____
- By USALUM By Others

DOOR SWING QTY

- LHR Hinge Left Swing Out _____ ea.
- RHR Hinge Right Swing Out _____ ea.
- LH Hinge Left Swing In _____ ea.
- RH Hinge Right Swing In _____ ea.
- LHD Hinge Left Double Acting _____ ea.
- RHD Hinge Right Double Acting _____ ea.
- PAIR Swing In _____ ea.
- PAIR Swing Out _____ ea.
- PAIR Double Acting _____ ea.

DOOR SWEEP

- Yes No
- Exposed Fasteners
- Concealed Fasteners

CONCRETE SWEEP

- Top Rail
- Bottom Rail

FOR OFFICE USE ONLY

TAKEN BY: _____

PRICED BY: _____

EDITED BY: _____

0F0133_12-18-19

PANIC DEVICES

- Concealed Vertical Rod Panics**
- Jackson 1285
 - Jackson 2086
 - Jackson 1085
 - Adams-Rite 8600
 - With Cylinder on Active Leaf
 - Exit Only
 - With Cylinders on Pair (Both Leaf's)

- Rim Panics**
- Jackson 1295
 - Jackson 2095
 - Jackson 1095
 - Adams-Rite 8800
 - With Cylinder on Active Leaf
 - Exit Only
 - Removable Mullion (For Pair of Doors)
 - With Cylinders on Pair (Both Leaf's)

- Mortise Panics**
- Adams-Rite 8400
 - CRL-Blumcraft Panic
 - Custom By USALUM By Customer
 - Prep and Supply Prep Only

NOTE: Prep Only Requires Manufacturer's Name , Model, and Template

Manufacturer: _____

Model: _____

FRAME SYSTEM

- Series 400** 1-3/4" x 4" Tubular Open Back
- Series 450** 1-3/4" x 4-1/2" Tubular Open Back
- Series 451** 2" x 4-1/2" Tubular Open Back
- Flush Front** 4-1/2" FF450 FF451
- Flush Front** 6" FF600 FF601
- Subframe** 1" x 4-1/2"

Custom: Specify _____

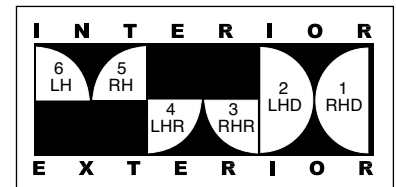
FRAME TYPE

- Up and Over (No Transom)
- 126" (3.2 m) High With Transom
- Frame Only
- Door Only (No Frame)
- Custom

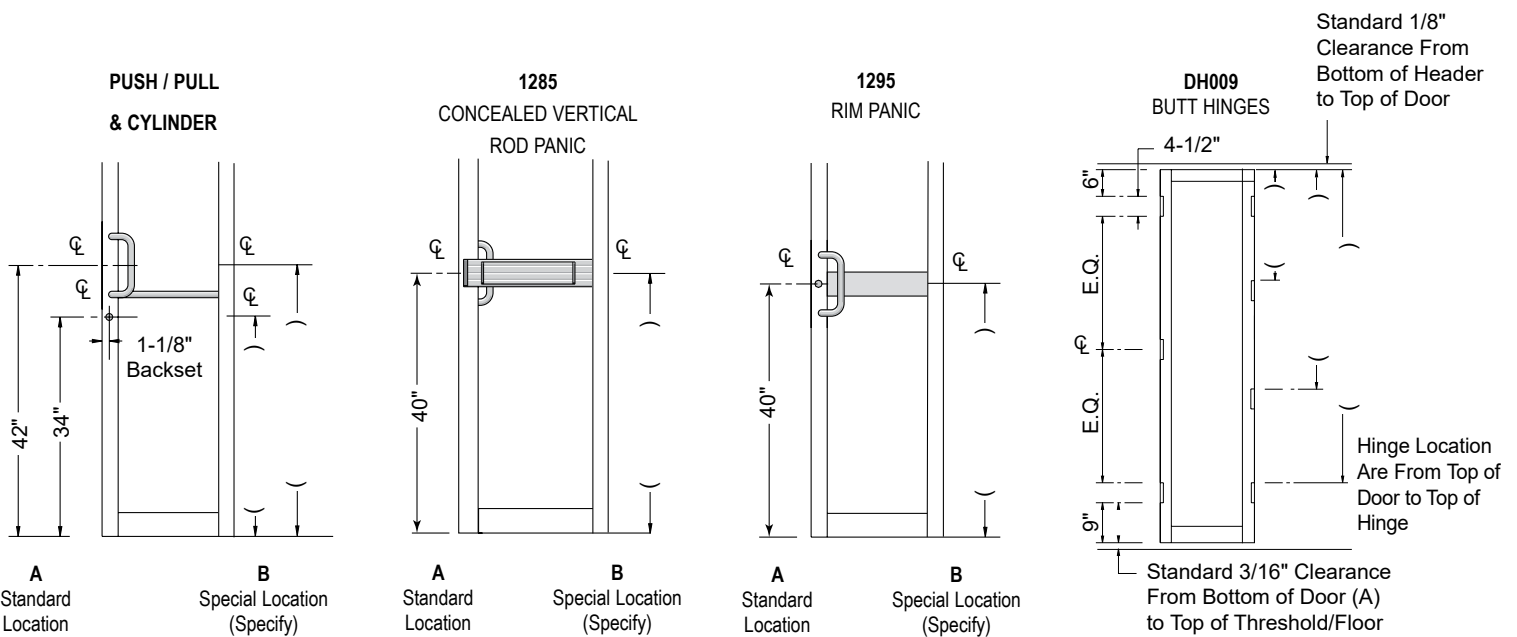
PUSH/PULL HARDWARE

- Standard Push Bars
 - Standard Push/Pull
 - Offset Pulls
 - None
 - Custom By USALUM By Customer
- Prep and Supply Prep Only
- NOTE:** Prep Only Requires Manufacturer's Name , Model, and Template
- Manufacturer: _____
- Model: _____

DOOR SWING CHART



Use the Door Swing Chart to determine how the door(s) should be handed.



FOR OFFICE USE ONLY

TAKEN BY: _____

PRICED BY: _____

EDITED BY: _____

APPROVED _____

DATE _____

VISION LITE GLASS STOP

- With 1/4" Square Glass Stops
- With 1/4" Bevel Glass Stops
- With 1" Glass Stops
- Other _____

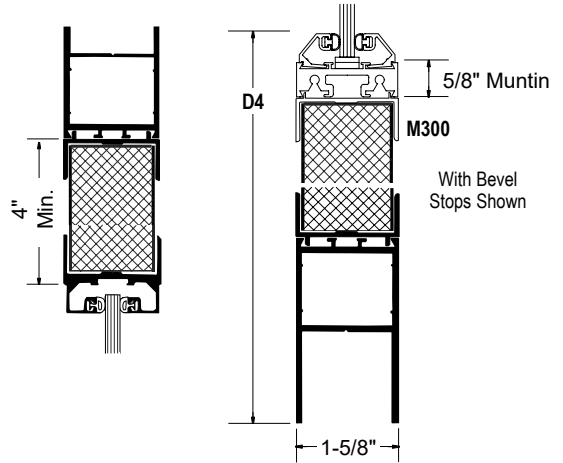
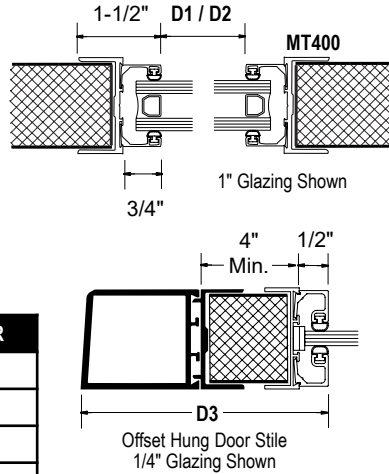
LOWER HALF PANEL MUNTIN OPTIONS

- 5/8" 5" 7-1/2"
- 2" 6-3/16" 9-1/2"
- 4-1/8" 6-1/2" Custom

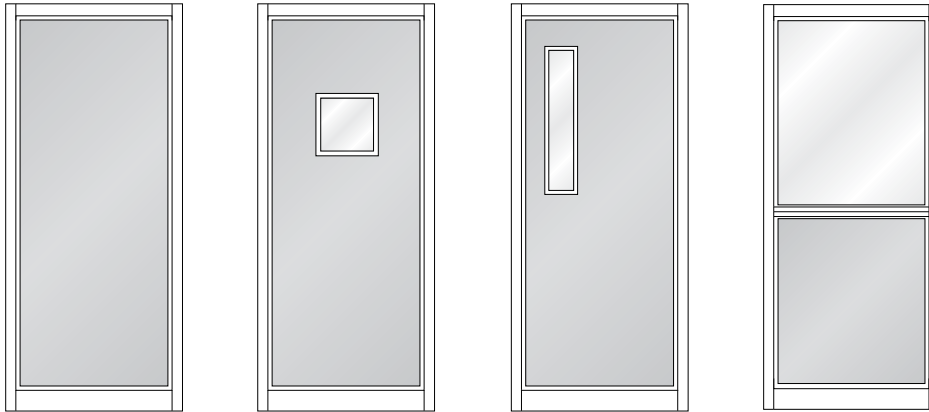
* Dimensions do not include stops.

DIMENSIONS	ACTIVE DOOR	INACTIVE DOOR
D1		
D2		
D3		
D4		

NOTE: For Painted Doors Consult Factory Prior to Application

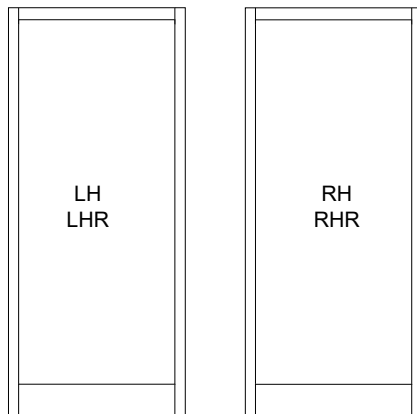


FLUSH PANEL CONFIGURATIONS

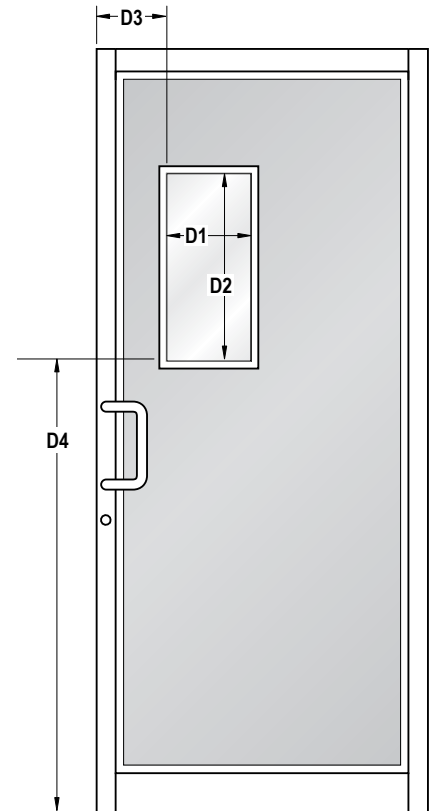


- Blank
- 12" x 12" View Lite
- Narrow Lite
- Lower Half Panel

CUSTOM (PLEASE SKETCH)



FLUSH PANEL WITH VISION LITE DIMENSIONS



Series 1000 Flush Panel
250 Narrow Stile
Offset Hung (Exterior View)

FOR OFFICE USE ONLY

TAKEN BY: _____
 PRICED BY: _____
 EDITED BY: _____

APPROVED _____

DATE _____